

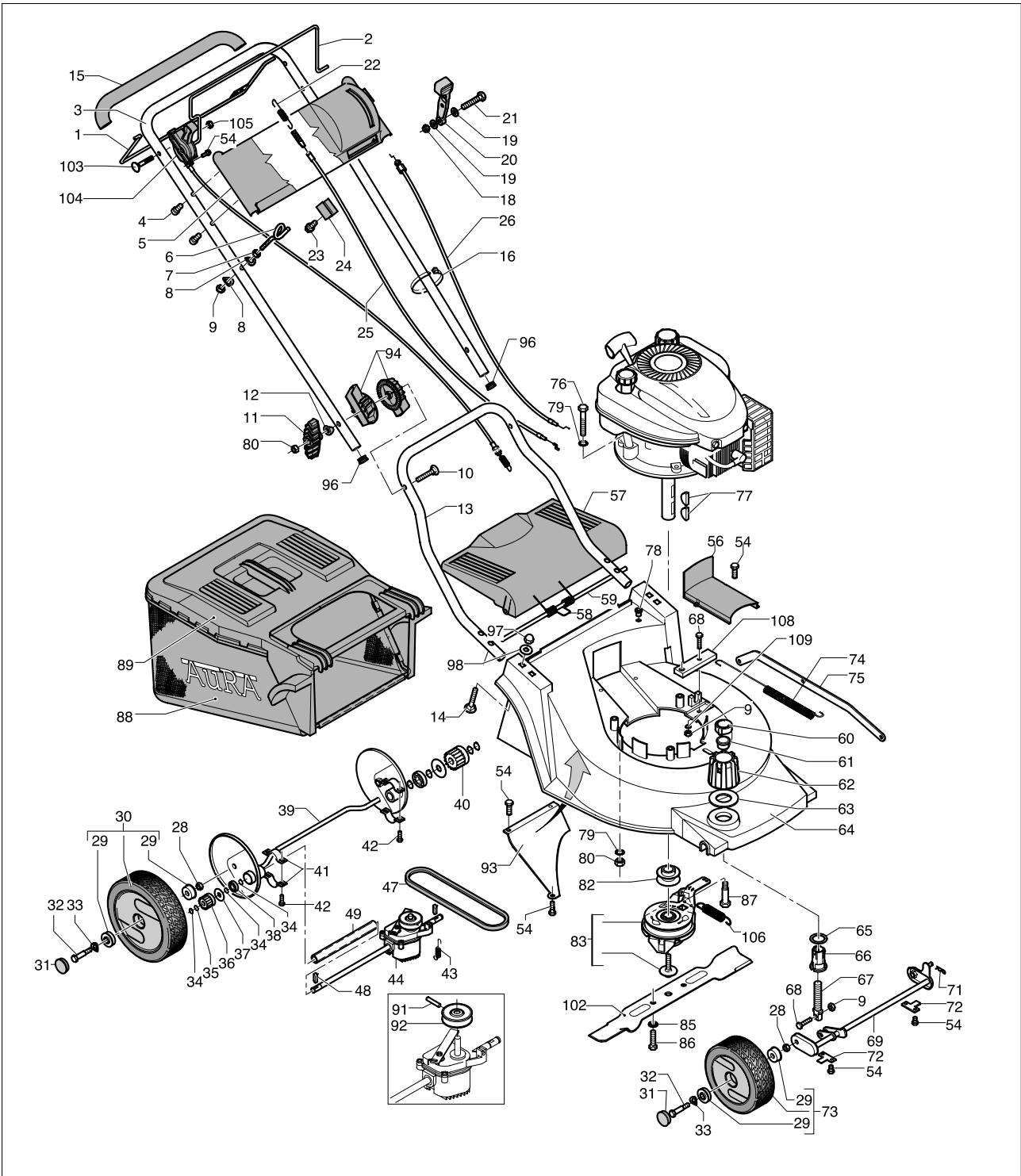
brand	MEP
-------	-----

date	JAN/02	SHEET 1/3
------	--------	-----------

Model

A 548S BBC

Product number



brand	MEP
-------	------------

date	JAN/02	SHEET 2/3
------	--------	-----------

A 548S BBC

Pos.	PN ELX	PN MEP	DESCRIZIONE	DESCRIPTION	DESCRIPTION	Q.ty	NOTE
1	531205789	10140763	maniglia frizione	clutch lever	manette d'embrayage	1	
2	531205788	10140753	maniglia freno	lever	manette	1	
3	531205837	10141223	manico superiore	upper handle	guidon superieur	1	
4	531208844	20734900	vite	screw	vis	4	TCTC 4,3x16 FIX ZB
5	531205609	10135773	plancia comandi	dash-board	planche	1	
6	531205169	10121470	gancio	cable hook	crochet	1	
7	531207165	10501200	dado	nut	ecrou	1	M6 H6 UNI 5587-6S-ZB
8	531204961	10115900	rondella ondulata	washer	rondelle	2	6,5E
9	531208491	20281800	dado	nut	ecrou	3	M6H8UNI7473ZB
10	531205842	10141270	vite	screw	vis	2	M8X75
11	531205840	10141253	pomolo	knob	poignée	2	
12	531205841	10141263	rondella	washer	rondelle	2	D.8
13	531205626	10136093	manico inferiore	handle lowere	guidon inferieur	1	
14	531207842	10830800	vite	screw	vis	4	TTSQ M6x40 1/2F ZV
15	531205989	10146243	guaina	sheating	gaine	1	mm.600
16	531205581	10135600	fascetta	clamp	colier	2	160X4,5
18	531208492	20282100	dado	nut	ecrou	1	M5 H7 UNI7473- ZB
19	531206666	10284700	rondella piana	washer	rondelle	2	5/15/1,5 ZB
20	531205138	10121260	leva acceleratore	lever	levier	1	
21	531207836	10830000	vite	screw	vis	1	TE M5x25 UNI 5739-8,8-ZB
22	531205596	10135710	molla frizione	spring	ressort	1	
23	531207937	10878000	vite	screw	vis	1	TCTC 3,9x16
24	531207923	10876103	supporto cavo	bearing	support	1	
25	531206298	10160170	cavo frizione	clutch cable	cable d'embrayage	1	
26	531207754	10800400	cavo acceleratore	accelerator cable	cable accelerateur	1	mm 1385/80 B&S
28	531207978	20101700	dado	nut	ecrou	6	M10 H8 UNI 5588-6S ZB
29	531205214	10121900	cuscinetto ruota	ball-bearing	roulement	8	
30	531204609	09141294	ruota	wheel	roue	2	D210/26 COP
31	531204936	10114804	tappo ruota	plug	bouchon	4	
32	531205042	10120090	vite	screw	vis	4	
33	531206644	10275100	rosetta	washer	rondelle	4	UNI 8840- B12(13/24/0,8
34	531208772	20655800	seeger	seeger	seeger	6	D.12E DIN 471
35	531208859	20761300	rondella temp.	washer	rondelle	2	D.12,4x17x0,3
36	531205045	10120160	pignone	pinion	pignon	1	DX
37	531207847	10831200	rondella piana	washer	rondelle	2	D.12/34/0,7 ZB
38	531208778	20657600	cuscinetto	ball-bearing	roulement	2	D.12/28/8 6001/2RS
39	531205538	10135283	assale posteriore	rear axle	assieu arriere	1	
40	531205046	10120170	pignone	pinion	pignon	1	SX
41	531206652	10281200	supporto superiore	bearing	support	4	
42	531207385	10602800	vite	screw	vis	4	TEFR 5x12 Z.B.
43	531206289	10160070	molla	spring	ressort	1	
44	531204758	9767800	riduttore completo	reducer complet	reducteur complete	1	
47	531206303	10160220	cinghia	belt	courroie	1	Z.29-L 730
48	531205108	10121160	chiavetta	key	clavette	2	"S" 5x5(- 0,05)x19,2 DIAG
49	531207697	10766503	tubetto distanziale	spacer tube	toyau entretoise	1	
54	531207856	10831800	vite	screw	vis	10	TEFR 5x10 ZB
56	531206290	10160083	carter cinghia	belt housing	carter de courroie	1	
57	531205487	10135073	paratoia	deflector	deflecteur	1	



brand	MEP
-------	------------

date	JAN/02	SHEET 3/3
------	--------	-----------

A 548S BBC

Pos.	PN ELX	PN MEP	DESCRIZIONE	DESCRIPTION	DESCRIPTION	Q.ty	NOTE
58	531206180	10155190	molla paratoia	spring	ressort	1	D.8 x 417 P500
59	531205493	10135080	tirante	tie rod	entretoise	1	
60	531205720	10140113	tappo	plug	bouchon	1	
61	531205726	10140147	distanziale	spacer	entretoise	1	
62	531205717	10140103	manopola	knob	poignée	1	
63	531205738	10140270	rondella	washer	rondelle	1	D.38,5x73x1
64	531206274	1016001K	scocca	deck	chassis	1	
65	531205739	10140280	rondella	washer	rondelle	1	D.38,5x50x1
66	531205724	10140137	bussola	bush	douille	1	
67	531205723	10140127	vite	screw	vis	1	
68	531208425	20228705	vite	screw	vis	2	TE M6x35 UNI 5737-8,8-ZB
69	531206283	10160020	assale anteriore	front axle	assieu avant	1	
71	531206653	10281400	copiglia	cotter pin	goupille	2	1,8 x 33
72	531205536	10135270	supporto ass.ant.	support	support	2	
73	531204607	9141284	ruota anteriore	front wheel	roue anterieur	2	D170/26 CO
74	531206287	10160040	molla asta	spring	ressort	1	
75	531206285	10160033	asta	rod	tige	1	
76	531205768	10140420	vite	screw	vis	1	TE M8x90 UNI 5737 1/2F ZB
76	531207107	10407800	vite	screw	vis	2	TE M8x65 UNI 5737-8,8-ZB
77	531204907	10100900	chiavetta	key	clavette	2	4x6,5 UNI6606 WODRUF
78	531205557	10135413	fermacavo	cable lock	arret du cable	1	
79	531207981	20106200	rondella dent.	washer	rondelle	3	D.8E DIN 6798
80	531207982	20106300	dado	nut	ecrou	3	M8 H8 UNI 5587-6S ZB
82	531205797	10140860	puleggia	pulley	pouile	1	
83	531206295	10160130	freno lama	brake blade	frein lame	1	
85	531208974	30102100	rondella dent.	washer	rondelle	2	
86	531207176	10501320	vite	screw	vis	2	TE M10x25 UNI 5739-8,8-ZB
87	531206300	10160190	vite freno lama	screw	vis	1	
88	531208269	20140624	sacco grigio	sac	sac	1	
89	531205763	10140393	coper.sacco /telaio	sack frame upper	cadre sac superieur	1	
91	531207703	10768400	spina elastica	resilient pin	goupile expansible	1	
92	531208899	20768203	puleggia riduttore	gear pulley	poulie reducteur	1	
93	531205469	10135050	convogliatore	deflector	deflecteur	1	
94	531205839	10141243	supporto manico	handle bearing	support guidon	4	D.22
96	531208950	20833303	tappo	plug	bouchon	2	
97	531206305	10160240	dado	nut	ecrou	4	M6 - DIM986-ZB- C.N.
98	531206306	10160250	rondella piana	washer	rondelle	4	D.6/14/1,5 ZB
102	531206297	10160160	lama	blade	lame	1	
103	531207776	10803700	vite	screw	vis	1	6Mx50 TB TF
104	531206296	10160140	cavo freno	cable	cable	1	
105	531208063	20122790	dado	nut	ecrou	1	M6 FLANGIATO
106	531206294	10160120	molla freno lama	spring	ressort	1	
108	531206299	10160180	piastra freno	plate	plaque	1	
109	531208759	20652200	rondella piana	washer	rondelle	1	6x13x1

